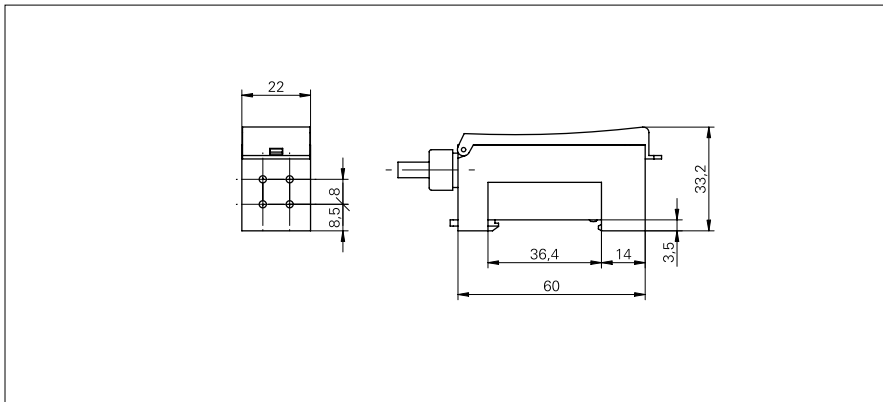


**Fiber optic sensors & cables**

**FVDK 22P6101**

**dimension drawing**



**general data**

actual range Sb (FSE 200C1002)	320 mm
sensing distance Tw (FUE 200C1003)	90 mm
light source	pulsed red LED
light indicator	LED green
alignment / soiled lens indicator	LED green, flashing
output indicator	LED yellow
adjustment	Teach-in
wave length	660 nm
suppression of reciprocal influence	yes

**electrical data**

response time / release time	< 1 ms
voltage supply range +Vs	10 ... 30 VDC
current consumption max. (no load)	68 mA
current consumption typ.	50 mA
voltage drop Vd	< 1,8 VDC
output function	light / dark operate switchable
output circuit	PNP
output current	< 100 mA
short circuit protection	yes
reverse polarity protection	yes

**mechanical data**

width / diameter	22 mm
height / length	33,2 mm
depth	60 mm
type	rectangular
housing material	PBT / PC
connection types	cable, 2 m

**ambient conditions**

operating temperature	-25 ... +55 °C
protection class	IP 65

**photo**



**connection diagram**

